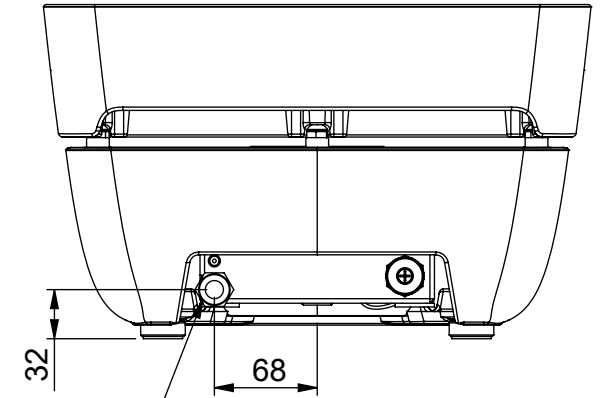
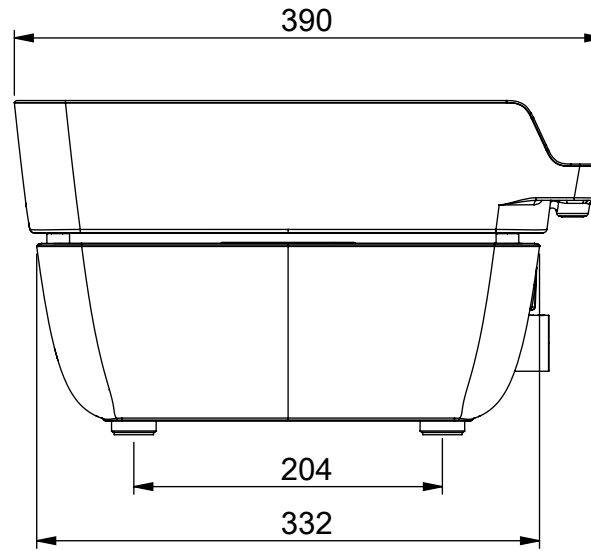
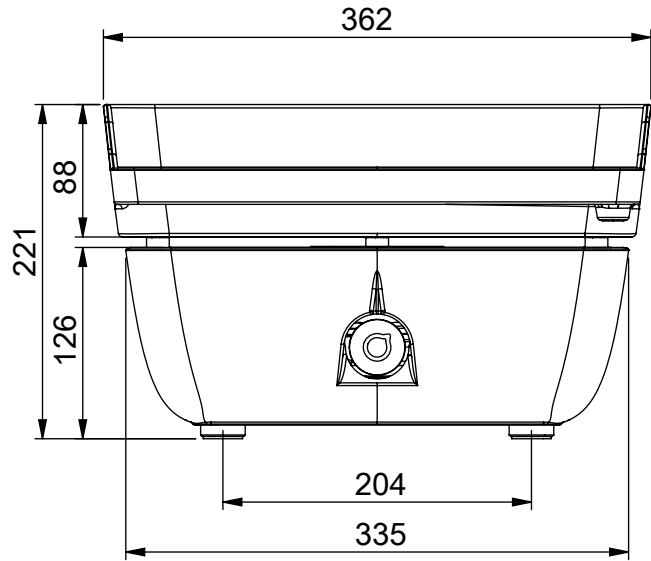


# Patio Cooker PLANCHA

09.00451.000 | 25/04/17



*Free connection (G1/2")  
Male Swivel*

*Weight: 19.1 kg*

